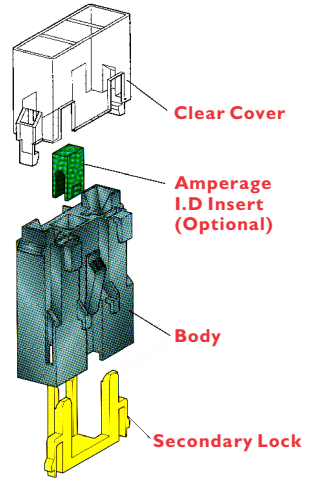


| Part Number | Description | Pack Size |
|-------------|-----------------------------------------------------------------|---------------|
| 01001K | Fuse holder kit includes: 00390, 00391, 00430 & 2 x 07650BK. | 1 |
| 00390 | Body with secondary lock | 10, 100, 1000 |
| 00391 | Clear cover | 10, 100, 1000 |
| 07650 | Terminal 1.5 to 2.5mm ² 20A (BK/RL) | 20, 3000 |
| 07660 | Terminal 4 to 6mm ² 36A (BK/RL) | 20, 3000 |
| 07670 | Terminal 8 to 10mm ² 50A (BK/RL) | 20, 1950 |
| 07671 | Terminal 16mm ² 75A (BK/RL) | 20, 1950 |
| 00392 | Fixing plate snap mount | 10, 100, 1000 |
| 00430 | Fixing plate single screw, M5 | 10, 100, 1000 |
| 00440 | Fixing plate dual screw, M5 | 10, 100, 1000 |



Body: Black PA 66

Accessories: Optional amperage identification inserts - colour coded with rating embossed. Contact sales for further information.

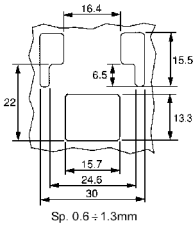
Features: Gangable, lateral fixing & snap lock fixing plate accessories.

Terminals: BK = Bulk Pack, RL = Reel Pack

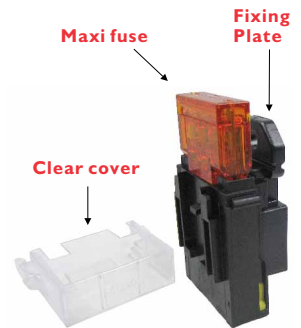
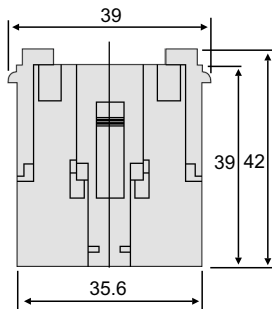
Notes: Other modular brackets also available for larger junction box products. Contact sales for further information. Fuse is not included with this holder.

Approvals: RoHS

Lateral Fixing Plate



Dimensions in MM

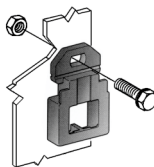


RELATED COMPONENTS

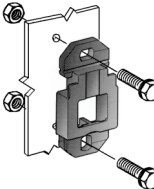
Maxifuses



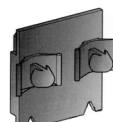
Fixing Plate (Single)



Fixing Plate (Double)



Fixing Plate (Snap Mount)

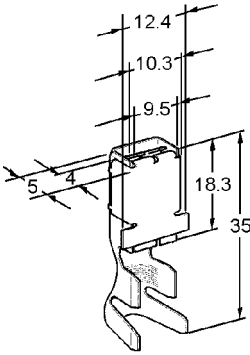


Terminal

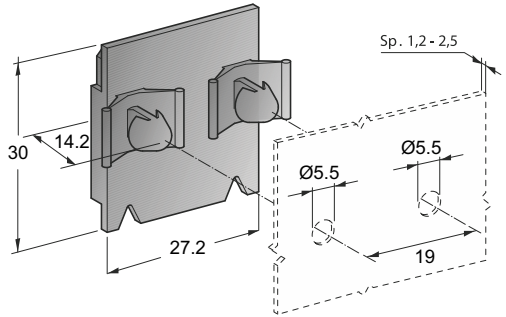


Maxifuse Terminals

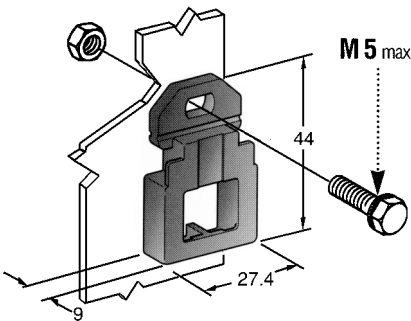
07650
07660
07670
07671



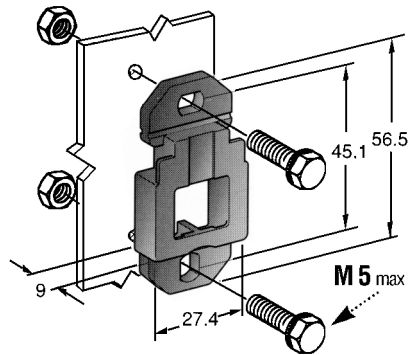
00392



00430



00440



Dimensions in MM