

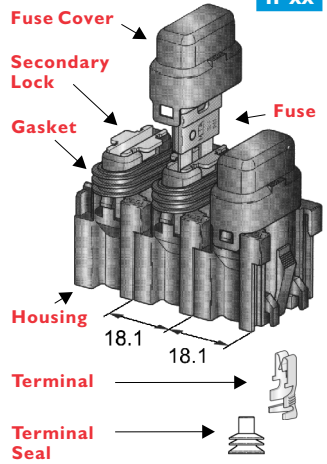
AUTO FUSE IN-LINE HOLDER SPLASH PROOF

MTA

IPxx

Part

| Number | Description | Pack Size |
|---------|---|---------------|
| 50153K | Fuse holder kit includes; 02330, 00392 & 2 x 07920BK. | 1 |
| 50153K1 | Fuse holder kit includes; 02330, 00392, 2 x 07920BK & 2 x 4507770. | 1 |
| 50153K2 | Fuse holder kit includes; 02330, 00392, 2 x 07930BK & 2 x 4507771. | 1 |
| 02330 | Housing with secondary lock, gasket & cover | 10, 100, 1000 |
| 07900 | Terminal 0.5 to 1.5mm ² 14A (BK/RL) | 20, 8000 |
| 07902 | Terminal 2 to 3mm ² 20A (RL) | 8000 |
| 07901 | Terminal 4 to 6mm ² 37A (BK/RL) | 20, 7200 |
| 07920 | Terminal 0.5 to 1.5mm ² + Clip 14A (BK/RL) | 20, 8000 |
| 07930 | Terminal 2 to 3mm ² + Clip 20A (BK/RL) | 20, 8000 |
| 07940 | Terminal 4 to 6mm ² + Clip 37A (BK/RL) | 20, 7200 |
| 4507770 | Terminal seal for 0.5 - 1.5 mm ² wire, orange | 20, 200, 1000 |
| 4507771 | Terminal seal for 2.0 - 3.0 mm ² wire, yellow | 20, 200, 1000 |
| 00392 | Fixing plate snap mount | 10, 100, 1000 |
| 00430 | Fixing plate single screw, M5 | 10, 100, 1000 |
| 00440 | Fixing plate dual screw, M5 | 10, 100, 1000 |



Body: Black PA 66

Terminal Options: BK = Bulk pack, RL = Reel pack.

Terminal Seal: Self lubricating silicone rubber.

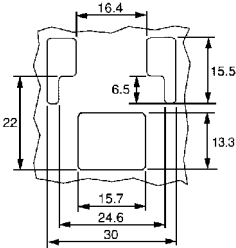
Features: Gangable, lateral fixing & snap lock fixing plate accessories.

Notes: Secondary lock available in various colours to match fuse colour identification. Contact sales for further information. Fuse is not included.

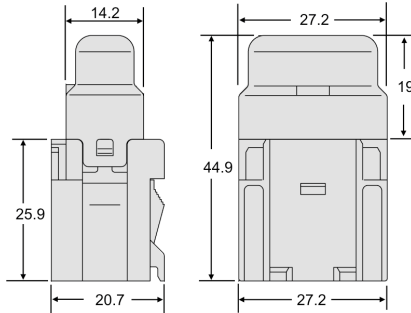
Approvals: RoHS



Lateral Fixing Plate



Sp. 0.6 ± 1.3mm



Dimensions in MM



Rear of Holder



Snap locks to other MTA products such as:
In-line Auto Fuse Holders.
In-Line Maxi Fuse Holders.
Single Relay Holders.
Auto Fuse & Relay Modular Blocks.
Four Way Module Frame.

RELATED PRODUCTS:

Fixing Plate (Single)

Fixing Plate (Double)

Fixing Plate (Snap Mount)

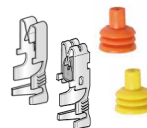
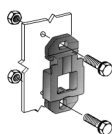
Terminals & Terminal Seals



Auto Fuses



LED Auto Fuses



Datasheet: 7004

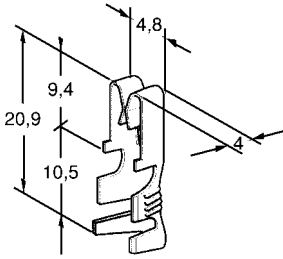
PROLEC

Email: info@prolecproducts.com
Web: www.prolecproducts.com

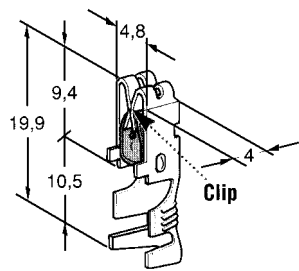
Page: 1

Autofuse Terminals

07900
07901
07902

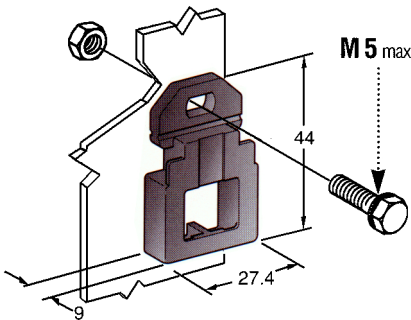


07920
07930
07940

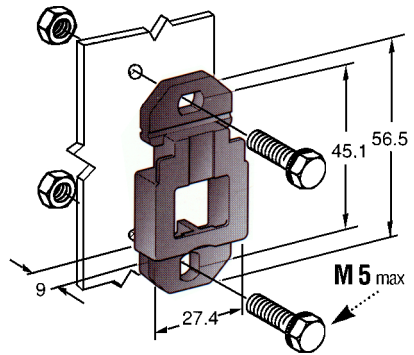


Dimensions in MM

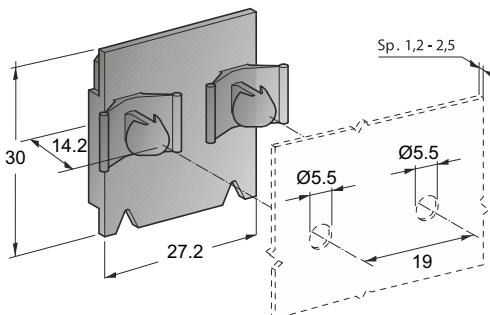
00430



00440



00392



Dimensions in MM